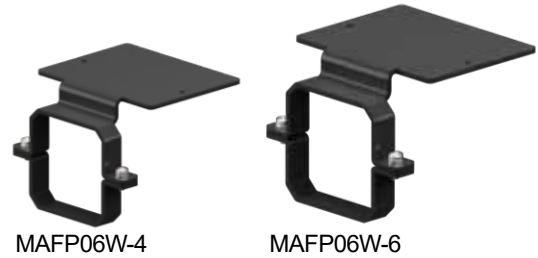


Mounting Brackets for Circuit Products Applicable Product: AZ mini Driver

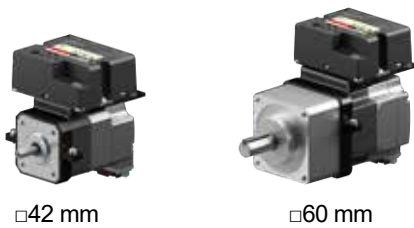
## MAFP06W-4 MAFP06W-6

This is a mounting bracket for installing an AZ mini driver on the side of a motor.



### ■ Features

- This allows AZ mini drivers to be mounted on the side of an AZ motor connector type.



### ● Easy mounting

Simply clamp the mounting bracket to the motor and tighten the two screws.



### ● Neat and easy wiring with just one cable

Length: 0.2 m and up

A single connection cable can be easily wired between driver motors, simplifying cable routing and saving space.

### ■ Product Line

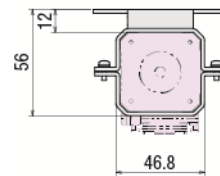
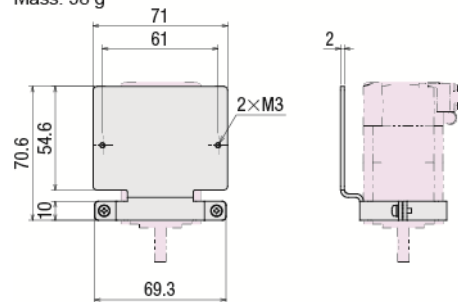
Product Name	Applicable Motor	Frame Size (mm)
<b>MAFP06W-4</b>	AZ Motors Connector Type	42
<b>MAFP06W-6</b>		60

Material: SPCC  
Surface Treatment: Cation Coating

### ■ Dimensions (Unit: mm)

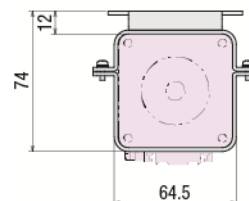
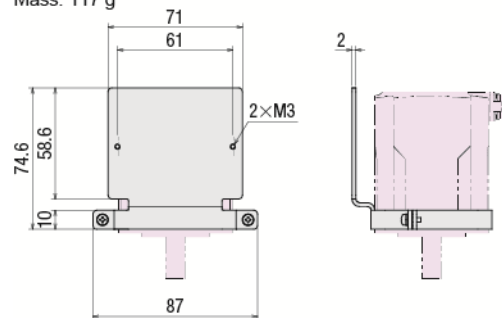
#### MAFP06W-4

● Installation Screws: 2 screws included  
Mass: 98 g



#### MAFP06W-6

● Installation Screws: 2 screws included  
Mass: 117 g



Visit [www.orientalmotor.com](http://www.orientalmotor.com)

For further information (specifications, dimensions, speed-torque characteristics)